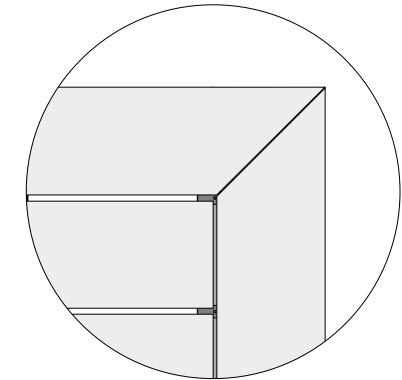
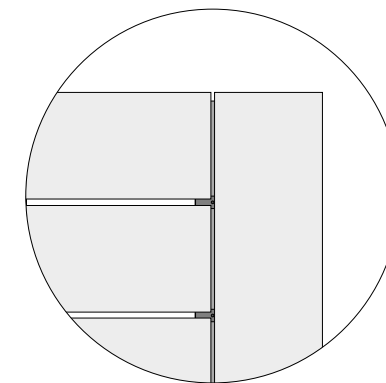


Step 1: Mitre the corner of your first picture frame board and install.

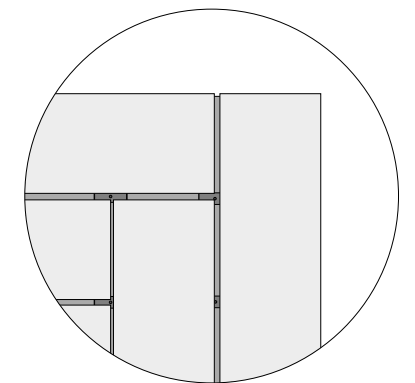
An alternative to better manage expansion and contraction is to do a single border board, or for a more detailed finish, a herringbone design corner.



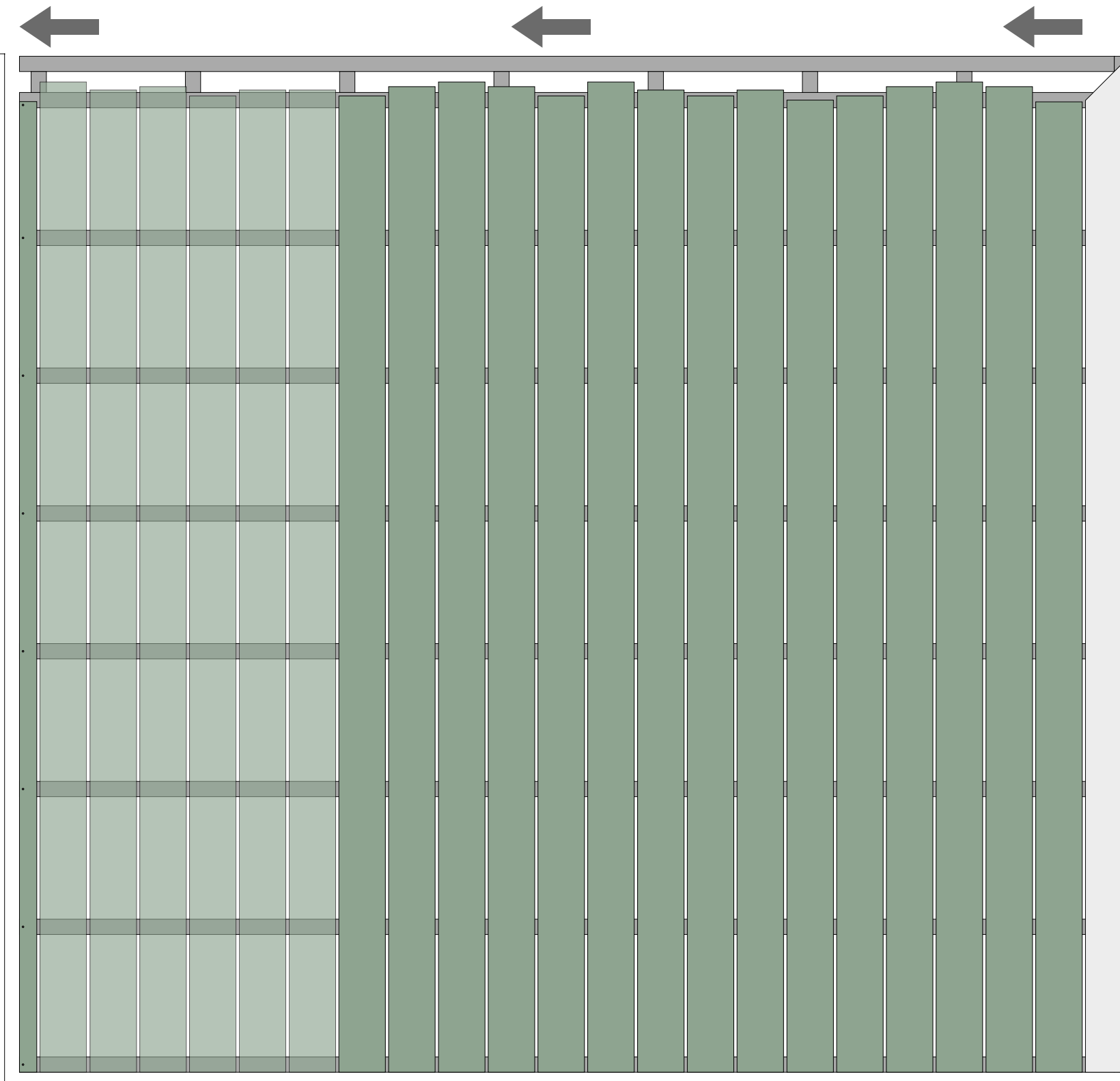
Picture frame



Single border



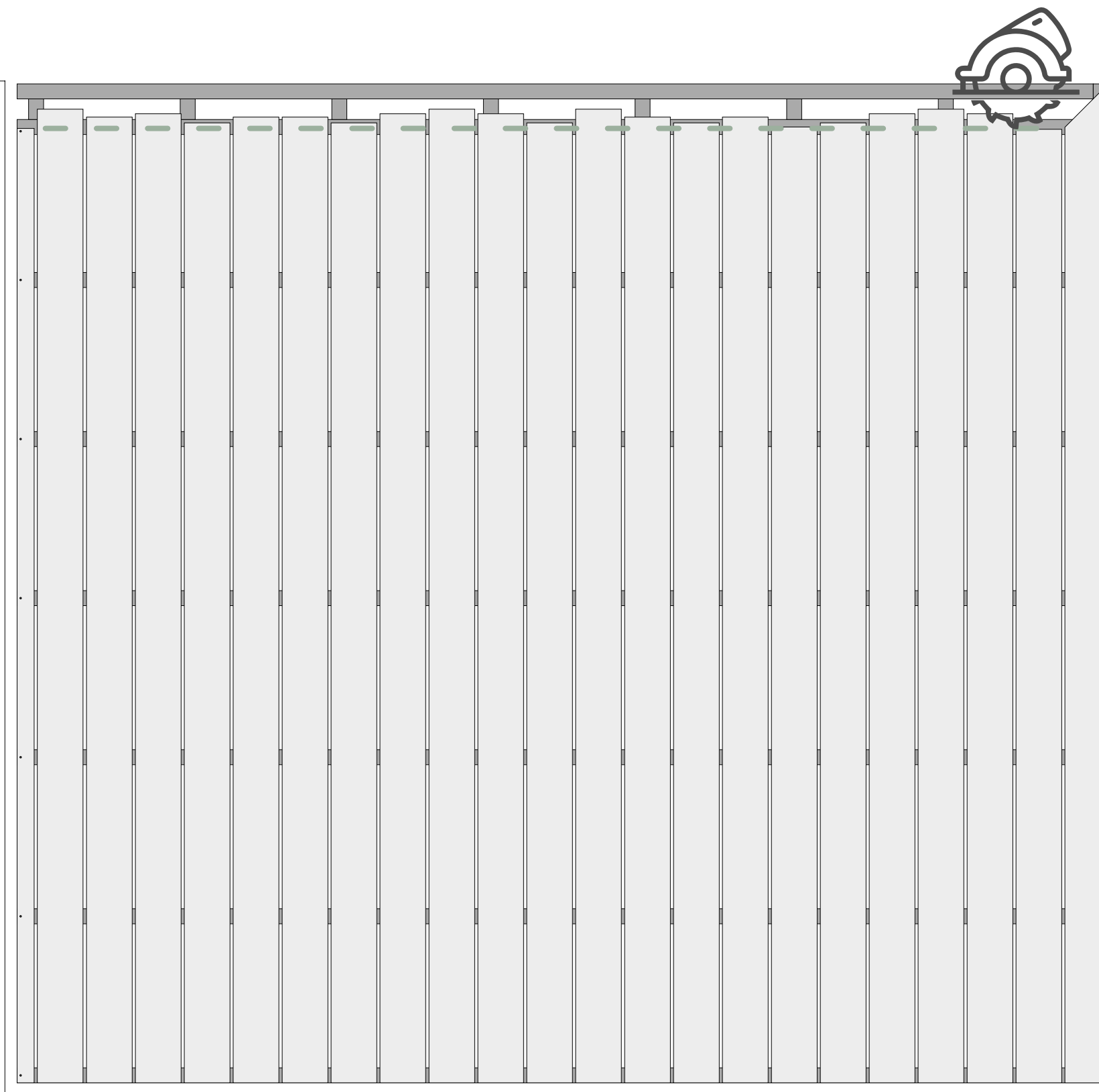
Herringbone



Step 2: Cut all your decking boards slightly over-length and install - moving from the outside edge (where you just installed the framing board) and moving back towards the house.

The last board installed along the house will most likely need to be ripped down to fit, and will need to be top-fixed with screws every 450mm along the last edge.

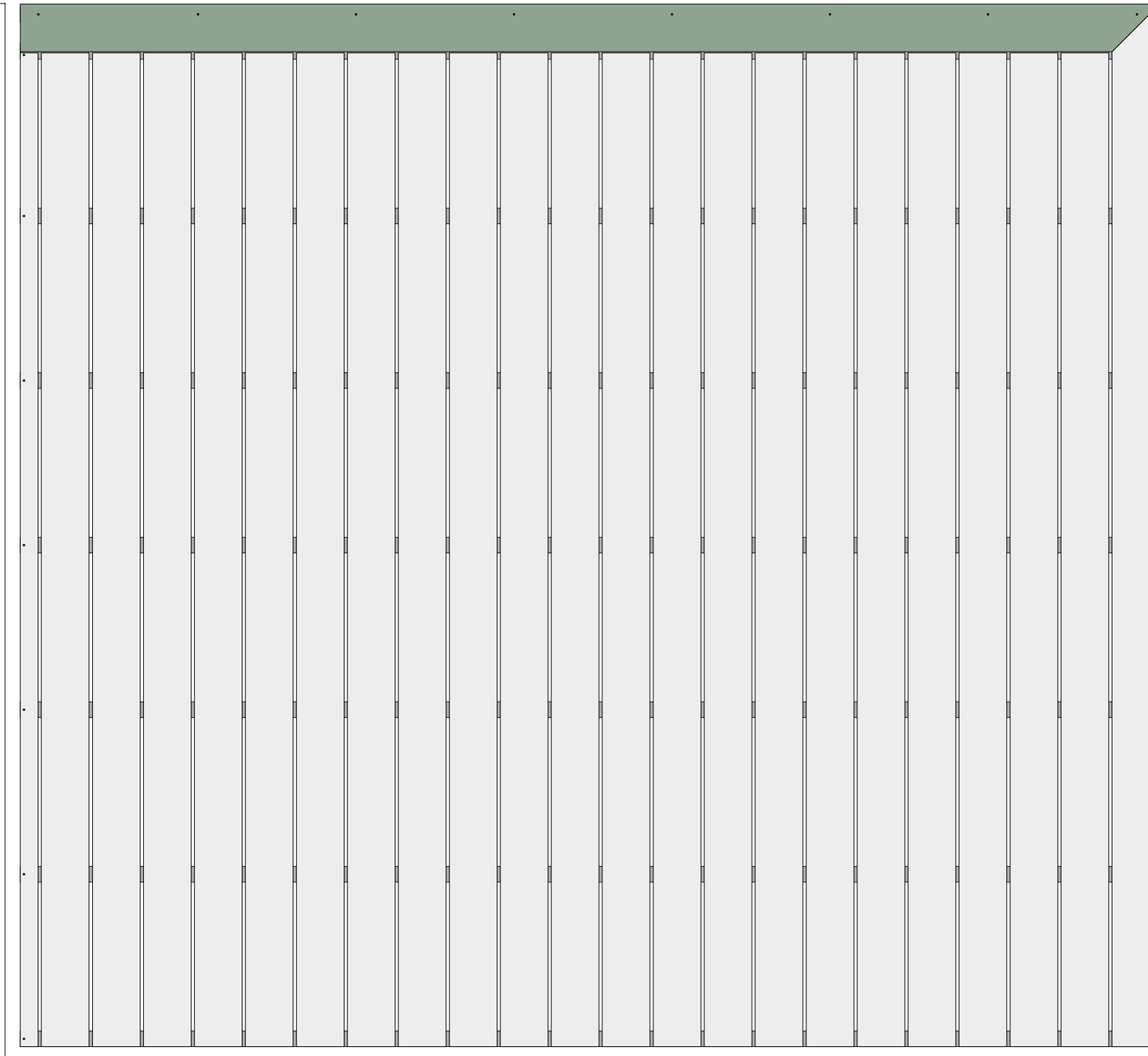
Handy Hint: Cut the first and last boards to length, this ensures you can get your circular saw in position.



Step 3: Trim decking boards to length all at once using a circular saw and guide.

Handy Hint: Set the depth of your circular saw so as to not cut your joists.

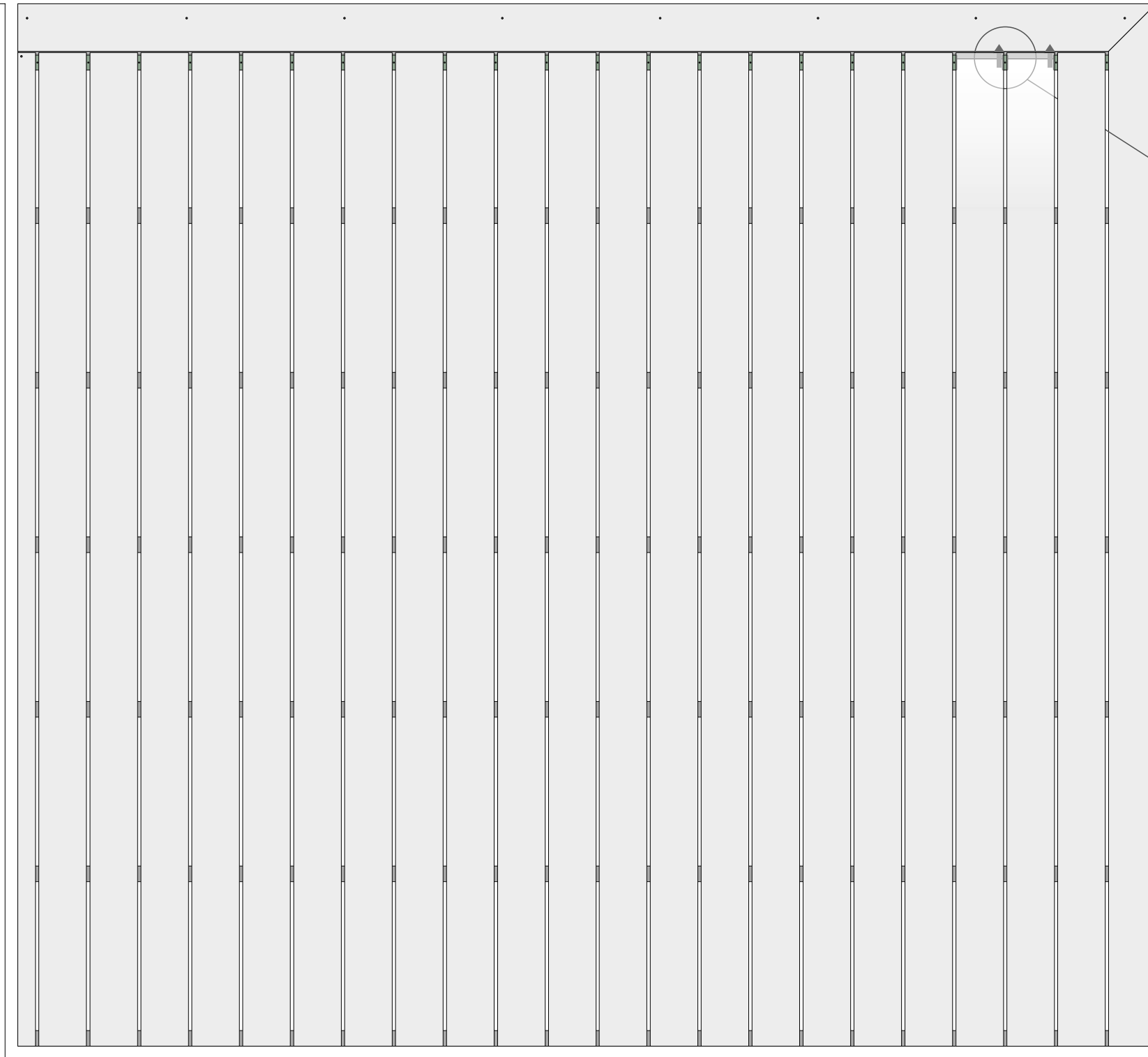
Handy Hint: A length of Ekodeck can be used as a straightedge to give you a straight cut.



Step 4: Mitre the corner of your final picture frame board and install.

Note: You should be able to fasten the leading edge of your picture frame using C-Clips.

Failing this, you may need to fix down the outside edge of the edge board by top fixing.



Step 5: Slide the ends of the Standard Clips into side of the framing board and screw down.

